

**NEW**

# BISON

2305

**Quick Change Jaw Power Chuck**

**QUICK CHANGE JAW SYSTEM**

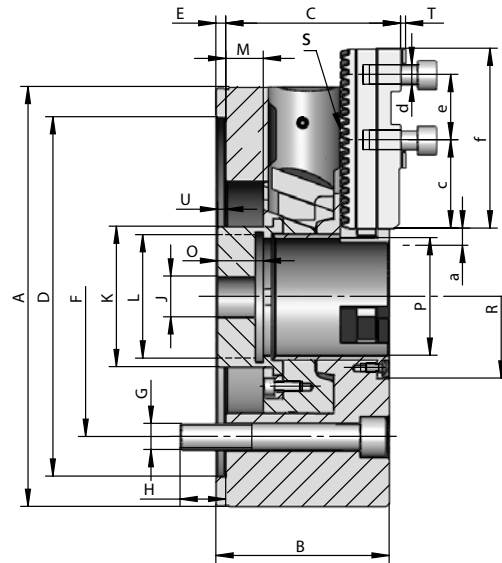
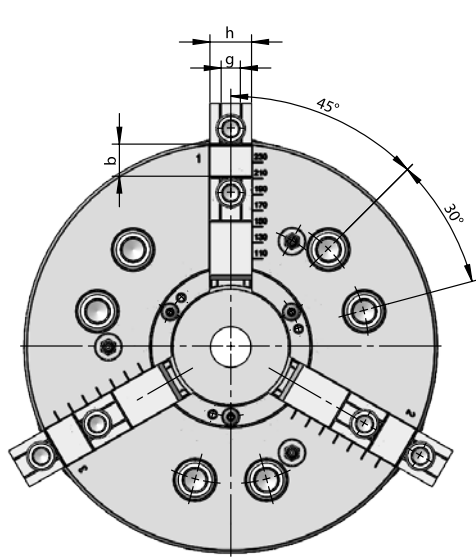


**BISON USA CORP.**

[www.bison-america.com](http://www.bison-america.com)

2305

Fast Jaw Replacement with an Operating Key, Low Profile Design



Type		2305-200-45	2305-250-72	2305-315-91
Code No.	-	7-770-0800	7-770-1000	7-770-1200
A	mm	206	257	315
B	mm	89	106	106
C	mm	90	107	107
D H6	mm	170	220	300
E	mm	6	6	6
F	mm	133,4	171,4	235
G	-	6xM12	6xM16	6xM20
H	mm	20	28	31
J	mm	20	25	25
K	mm	57	86	108
L max.	-	M52x2	M80x2	M100x2
M (Max. Drawbar Stroke)	mm	20	23	23
O	mm	24	28	28
P	mm	45	72	91
R	mm	73	100	122
S (Serration Pitch)	mm	4,8	6	6
T	mm	3	3	3
Umin.	mm	5	5	4
Umax.	mm	25	28	27
a (Max. Jaw Stroke)	mm	7,2	8,3	8,3
b	mm	20	20	20
c	mm	37	54	54
d	-	M8x1	M12x1.5	M12x1,5
e	mm	40	40	40
f	mm	90	110	110
g	mm	10	12	12
h	mm	22	26	26
Jaw Type	-	F200	F250	F250
Max. Pulling Force	kN	45	60	60
Max. Clamping Force	kN	84	120	120
Max. Speed	rpm	5500	4500	3500
Moment of Inertia	kgm <sup>2</sup>	0,04	0,31	1,9
Weight Without Top Jaws	kg	20	35	54



