

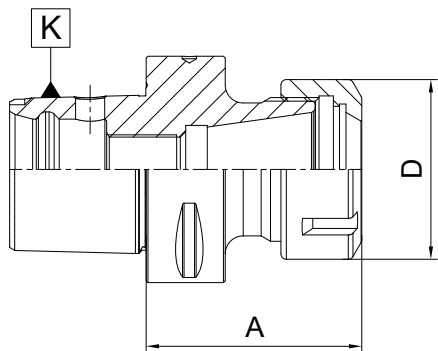
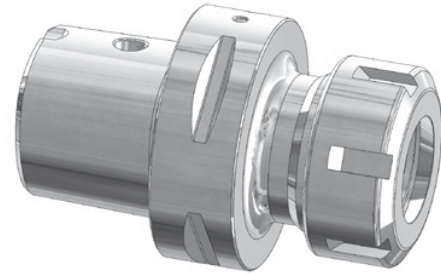
Type 7608

- ER Collet Chuck
- Balanced @ G2.5/25,000 RPM
- Coolant - Thru

Code No	K PSC Taper	Collet	A [in]	Capacity [in]	D [in]
7-146-316	32	ER16	1.77	.08 - .39	1.26
7-146-320	32	ER20	1.77	.08 - .51	1.38
7-146-416	40	ER16	2.76	.08 - .39	1.26
7-146-420	40	ER20	2.05	.08 - .51	1.38
7-146-425	40	ER25	2.05	.08 - .63	1.77
7-146-432	40	ER32	2.13	.08 - .79	1.97
7-146-516	50	ER16	3.94	.08 - .39	1.26
7-146-520	50	ER20	2.17	.08 - .51	1.38
7-146-525	50	ER25	2.17	.08 - .63	1.77
7-146-532	50	ER32	2.24	.08 - .79	1.97
7-146-540	50	ER40	2.36	.08 - 1.02	2.48
7-146-616	63	ER16	3.94	.08 - .39	1.26
7-146-620	63	ER20	2.36	.08 - .51	1.38
7-146-625	63	ER25	2.36	.08 - .63	1.77
7-146-632	63	ER32	2.36	.08 - .79	1.97
7-146-640	63	ER40	2.56	.08 - 1.02	2.48
7-146-820	80	ER20	2.56	.08 - .51	1.38
7-146-825	80	ER25	2.76	.08 - .39	1.77
7-146-832	80	ER32	2.76	.08 - .79	1.97
7-146-840	80	ER40	2.76	.08 - 1.02	2.48
7-146-132	100	ER32	6.30	.08 - .79	1.97
7-146-140	100	ER40	6.30	.08 - 1.02	2.48

PSC Polygonal Taper

ISO 26623-1



Type 7390

- Shell Mill Arbor
- Balanced @ G2.5/25,000 RPM
- Coolant - Thru

Code No	K PSC Taper	d [in]	A [in]	L [in]	d1 [in]
7-148-360	32	3/4	1.75	0.68	1.75
7-148-460	40	3/4	2.00	0.68	1.75
7-148-480	40	1	2.00	0.68	2.25
7-148-560	50	3/4	2.00	0.68	1.75
7-148-580	50	1	2.00	0.68	2.25
7-148-590	50	1 1/4	2.40	0.68	2.75
7-148-500	50	1 1/2	2.40	0.94	3.75
7-148-660	63	3/4	2.00	0.68	1.75
7-148-680	63	1	2.00	0.68	2.25
7-148-690	63	1 1/4	2.40	0.68	2.75
7-148-600	63	1 1/2	2.40	0.94	3.75
7-148-860	80	3/4	2.40	0.68	1.75
7-148-880	80	1	2.40	0.68	2.25
7-148-890	80	1 1/4	2.75	0.68	2.75
7-148-800	80	1 1/2	2.75	0.94	3.75
7-148-810	80	2	2.75	0.94	4.88
7-148-100	100	1 1/2	2.75	0.94	3.75
7-148-110	100	2	2.75	0.94	4.88

PSC Polygonal Taper

ISO 26623-1

