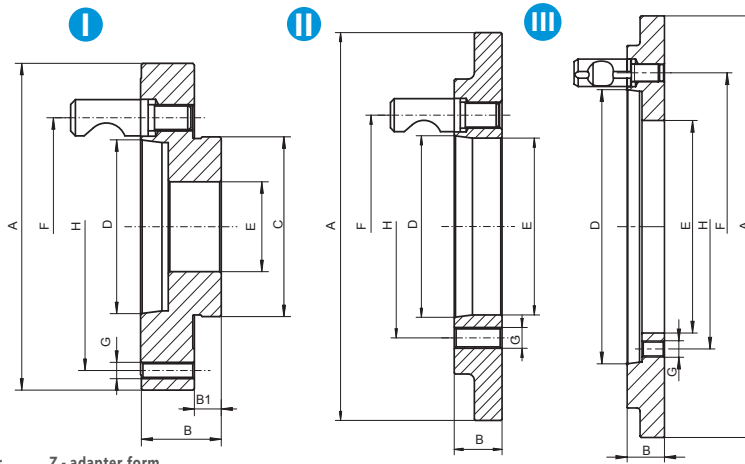


FULLY MACHINED ADAPTER PLATES FOR SET-TRU CHUCKS

8245
TYPE D



W - Chuck diameter Z - adapter form

Code No.	W*	Taper Size	Z*	A [in]	B [in]	B1 [in]	C [in]	D [in]	E [in]	F [in]	G	H [in]	Weight [lbs]
7-875-043	4"	3	I	3.94	1.50	0.47	1.77	2.13	0.79	2.78	M8	3.27	3.31
7-875-044	4"	4	I	4.25	1.57	0.47	1.77	2.50	0.79	3.25	M8	3.27	3.97
7-875-053	5"	3	I	4.92	1.57	0.55	2.17	2.13	1.38	2.78	M8	4.25	5.95
7-875-054	5"	4	I	4.92	1.54	0.55	2.17	2.50	1.38	3.25	M8	4.25	5.73
7-875-055	5"	5	I	5.31	1.73	0.55	2.17	3.25	1.38	4.13	M8	4.25	6.83
7-875-056	5"	6	I	7.12	1.89	0.55	2.17	4.19	1.38	5.25	M8	4.25	13.06
7-875-058	5"	8	I	8.86	2.09	0.55	2.17	5.50	1.38	6.75	M8	4.25	15.00
7-875-063	6"	3	I	6.30	1.81	0.63	3.39	2.13	1.65	2.78	M10	5.51	10.80
7-875-064	6"	4	I	6.30	1.81	0.63	3.39	2.50	1.65	3.25	M10	5.51	9.92
7-875-065	6"	5	I	6.30	1.81	0.63	3.39	3.25	1.65	4.13	M10	5.51	9.92
7-875-066	6"	6	I	6.69	2.01	0.63	3.39	4.19	1.65	5.25	M10	5.51	13.01
7-875-083	8"	3	I	7.87	1.30	0.67	4.33	2.13	2.02	2.78	M10	6.93	10.36
7-875-084	8"	4	I	7.87	1.30	0.67	4.33	2.50	2.17	3.25	M10	6.93	10.36
7-875-085	8"	5	I	7.87	1.85	0.67	4.33	3.25	2.17	4.13	M10	6.93	15.87
7-875-086	8"	6	I	7.87	2.01	0.67	4.33	4.19	2.17	5.25	M10	6.93	17.64
7-875-104	10"	4	I	9.84	1.50	0.75	5.71	2.50	2.38	3.25	M12	8.82	18.96
7-875-105	10"	5	I	9.84	1.50	0.75	5.71	3.25	2.99	4.13	M12	8.82	17.64
7-875-106	10"	6	I	9.84	2.09	0.75	5.71	4.19	2.99	5.25	M12	8.82	28.44
7-875-108	10"	8	I	9.84	2.36	0.75	5.71	5.50	2.99	6.75	M12	8.82	32.41
7-875-126	12"	6	I	12.40	1.50	0.75	7.09	4.19	4.06	5.25	M16	11.26	28.44
7-875-128	12"	8	I	12.40	2.24	0.75	7.09	5.50	4.06	6.75	M16	11.26	47.84
7-875-129	12"	11	I	12.40	2.52	0.75	7.09	7.75	4.06	9.25	M16	11.26	52.91
7-875-166	16"	6	II	11.75	1.38	-	7.20	4.19	4.06	5.25	5/8-11	6.75	25.79
7-875-168	16"	8	II	11.75	1.50	-	8.94	5.50	5.36	6.75	5/8-11	6.75	26.23
7-875-169	16"	11	II	11.75	1.89	-	11.69	7.75	5.35	9.25	5/8-11	6.75	38.58
7-875-208	20"	8	II	16.02	1.50	-	16.02	5.50	5.35	6.75	3/4-10	9.25	73.85
7-875-209	20"	11	II	16.02	1.73	-	16.02	7.75	7.59	9.25	3/4-10	9.25	77.82
7-875-215	20"	15	II	16.02	2.05	-	16.02	11.25	7.48	13.00	3/4-10	9.25	83.33
7-875-258	25"	8	II	16.02	1.50	-	16.02	5.50	5.35	6.75	3/4-10	13.00	73.85
7-875-259	25"	11	II	16.02	1.73	-	16.02	7.75	7.59	9.25	3/4-10	13.00	77.82
7-875-265	25"	15	II	16.02	2.05	-	16.02	11.25	9.92	13.00	3/4-10	13.00	72.31
7-875-329	32"	11	II	25.00	1.73	-	25.00	7.75	7.59	9.25	12xM24	14.50	172.40
7-875-335	32"	15	II	25.00	1.91	-	25.00	11.25	11.06	13.00	12xM24	14.50	167.55
7-875-332	32"	20	III	25.00	2.28	-	25.00	16.25	12.60	18.25	12xM24	14.50	177.91
7-875-415	40"	15	II	25.00	1.91	-	25.00	11.25	11.06	13.00	12xM24	18.25	167.55
7-875-420	40"	20	II	25.00	2.05	-	25.00	16.25	16.06	18.25	12xM24	18.25	118.61
7-875-495	49"	15	II	28.35	2.05	-	28.35	11.25	11.06	13.00	12xM30	25.50	268.96
7-875-492	49"	20	II	28.35	2.05	-	28.35	16.25	16.06	18.25	12xM24	25.50	222.67