

- EXTRA HIGH GRIPPING FORCE
- HIGH RPM

1

2

3

4

5

3474



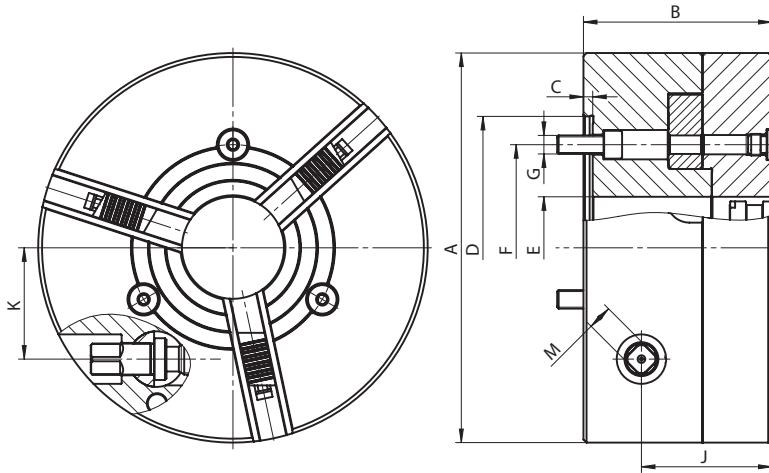
Standard accessories



1 Set of solid reversible jaws



1 Wrench



3475



Standard accessories



1 Set of solid reversible jaws



1 Wrench

- Serration according to Reishauer System (RHU)
- Jaw locking system
- Hardened and ground jaw guides
- Flexible mounting system: mounting from the back or front of the chuck by use of an adapter plate

Code No.	Type	A [in]	B [in]	C [in]	D [in]	E [in]	F [in]	G	J [in]	K [in]	M [in]	S [in]	Weight [lbs]	Type	Code No.
7-838-0050	3474-5"	5.12	2.64	0.16	3.54	1.18	2.78	3xM10	2.03	1.40	0.35	0.20	12.35	3475-5"	7-838-1050
7-838-0060	3474-6"	6.50	3.31	0.20	4.53	1.57	3.25	3xM10	2.56	1.79	0.43	0.20	26.01	3475-6"	7-838-1060
7-838-0080	3474-8"	8.07	3.82	0.20	5.51	2.01	4.13	3xM10	2.89	2.22	0.55	0.22	44.09	3475-8"	7-838-1080
7-838-0100	3474-10"	9.92	4.41	0.24	6.69	2.60	5.25	3xM12	3.33	2.83	0.63	0.24	79.37	3475-10"	7-838-1100
7-838-0120	3474-12"	12.40	5.00	0.24	8.66	3.54	6.75	3xM16	3.76	3.46	0.71	0.36	132.28	3475-12"	7-838-1120
7-838-0160	3474-16"	15.75	5.67	0.24	11.81	4.33	9.25	3xM20	4.43	4.33	0.71	0.47	235.89	3475-16"	7-838-1160
7-838-0200	3474-20"	19.69	5.67	0.24	11.81	7.48	9.25	6xM20	4.43	6.69	0.71	0.47	359.35	3475-20"	7-838-1200
-	-	24.80	6.30	0.24	14.96	10.08	13.00	6xM24	4.80	8.58	0.71	0.59	648.16	3475-25"	7-838-1250