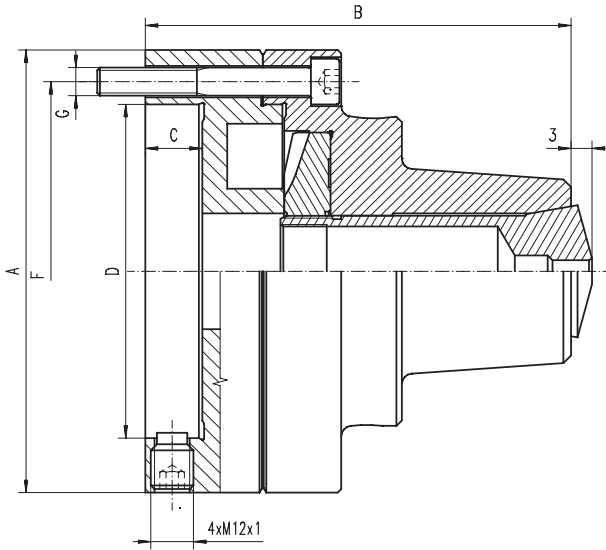


- FORGED STEEL BODY
- SET-TRU ADJUSTMENT



- High precision 5C collet chuck
- SET-TRU mounting
- The wrench operated scroll provides for uniform and distortion free clamping of workpieces while simultaneously allowing for a fast collet exchange
- Designed for use with 5C collets (385E) and can be used for turning, facing, boring, grinding and milling operations
- Allows for fine adjustment to the required concentricity by means of 4 radially arranged adjusting screws
- Collet 5C not included

3960

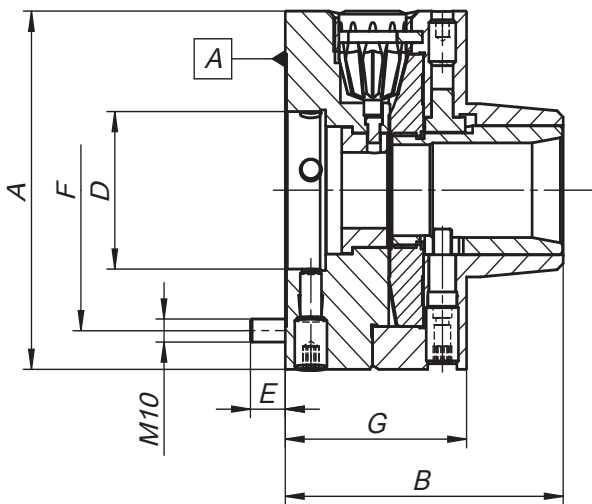


Standard accessories



1 Wrench + 1 Hex key

Code No.	Type	A [in]	B [in]	C [in]	D [in]	F [in]	G	RPM	Weight [lbs]
7-862-0505	3960-5C	4.96	4.61	0.59	2.17	4.25	3xM8	6000	11.9



- High precision 5C collet chuck
- TRU-LENGTH - fixed collet position
- SET-TRU mounting
- The wrench operated scroll provides for uniform and distortion free clamping of workpieces while simultaneously allowing for a fast collet exchange
- Designed for use with 16C collets and can be used for turning, facing, boring, grinding and milling operations
- Allows for fine adjustment to the required concentricity by means of 4 radially arranged adjusting screws
- Collet 16C not included

3965



Standard accessories



1 Wrench + 1 Hex key

Code No.	Type	A [in]	B [in]	D [in]	E [in]	F [in]	G [in]	RPM	Weight [lbs]
7-862-0605	3965-6"-16C	6.30	5.06	3.39	0.67	5.51	3.11	6000	24