



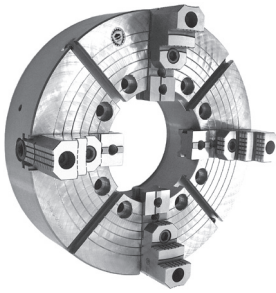
4-JAW INDEPENDENT CHUCKS

- EXTRA HEAVY DUTY WITH LARGE THROUGH-HOLE
- PLAIN BACK MOUNT



- 1
- 2
- 3
- 4
- 5

4307 HD



Standard accessories



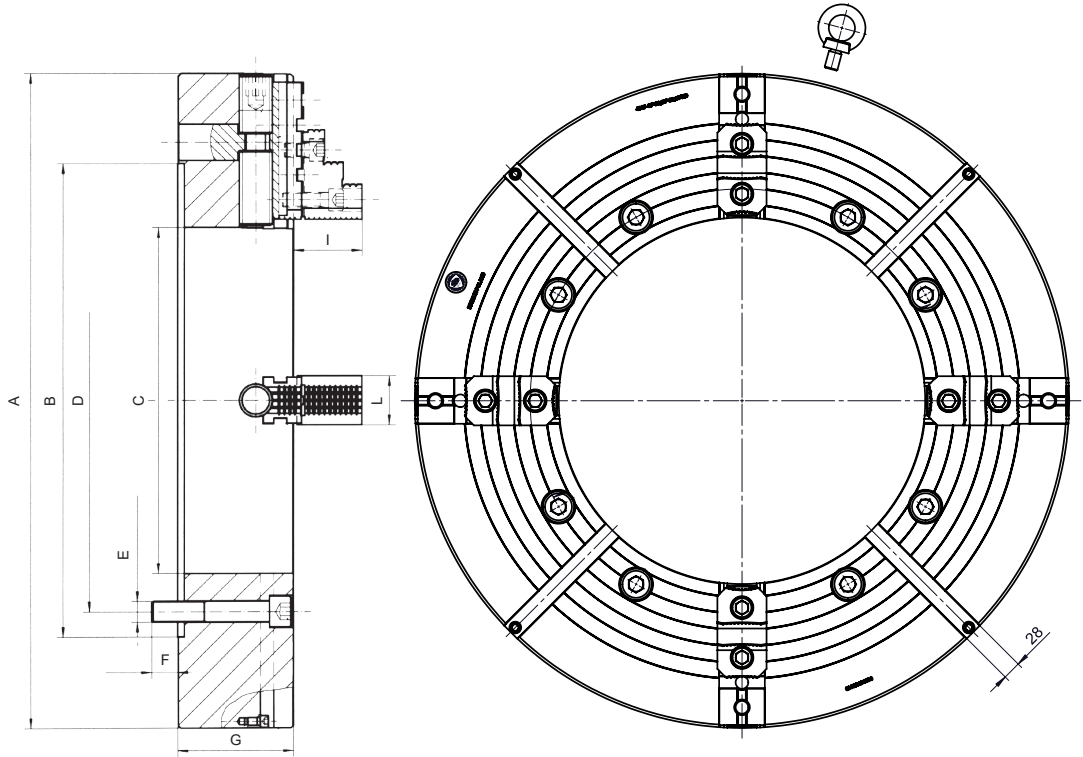
1 Set of hard top jaws



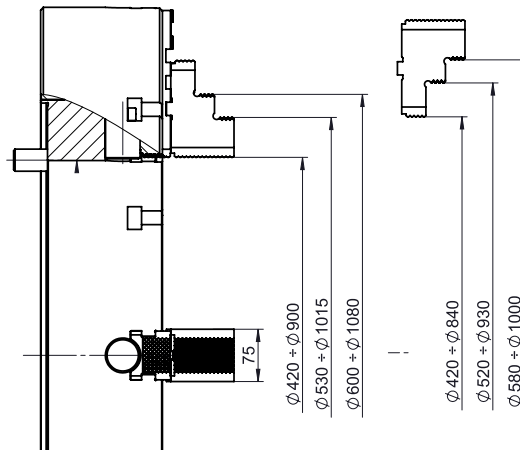
1 Set of hard master jaws



1 Wrench



Gripping Ranges [mm]



- BISON OIL COUNTRY CHUCKS HD with large through-holes are designed for gripping long and heavy workpieces or pipes during heavy-duty (HD) machining
- High gripping force
- High accuracy
- Heavy-duty operations
- Chucks can work individually or in pairs, mounted on opposite sides of the lathe spindle

Type	Code No.	A [in]	B [in]	C [in]	D [in]	E	F [in]	G [in]	I [in]	K [in]	L [in]	Clamping range [in]	Torque on wrench [lb/ft]	Gripping force per jaw [lbf]	Max. rpm	Weight [lbs]
4307-40"-22.05" HD	7-859-4021	39.37"	28.54	22.05"	25.49	1.1/4"-7"	1.53	6.89	4.05	1.10	2.95	16.54 - 39.37	370	11,240	430	1,690