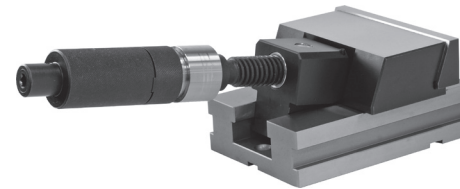
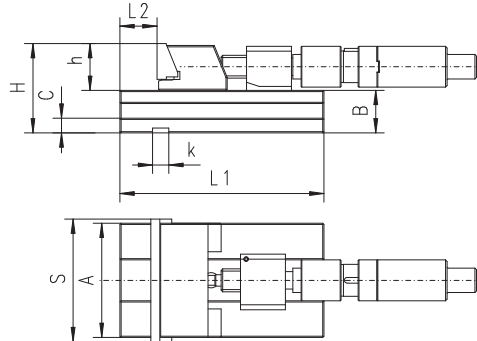


- Revised and upgraded successor model of Type 6568
- Movable element

**6622**

Accessories 270-282  
 Technical Data 283-284

Code No.	Type	S	A	B	C	L	a	h	k	Max. clamping force [daN]	Weight [lbs]
		[mm]									
7-223-124	6622-100	100	85	35	13	140	48	30	12	2,000	11.7
7-223-125	6622-125	125	105	42	15	160	60	40	12	3,000	19.1
7-223-126	6622-150	150	140	52	18	210	86	50	18	4,100	45.3
7-223-128	6622-200	200	165	61	20	240	78	60	18	4,500	75.5

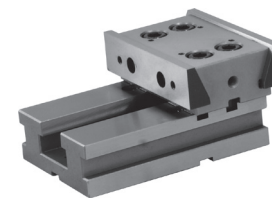
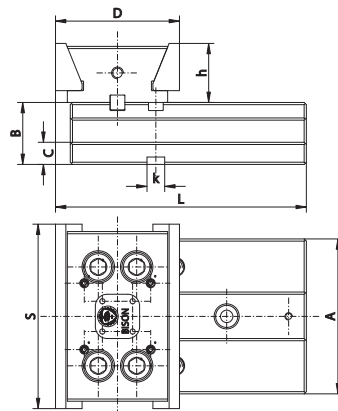


- Revised and upgraded successor model of Type 6571
- Movable element with hydraulic spindle
- Similar to Type 6622

**6623**

Accessories 270-282  
 Technical Data 283-284

Code No.	Type	S	A	B	C	H	L1	L2	h	k	Max. clamping force [daN]	Weight [lbs]
		[mm]										
7-223-136	6623-150	150	140	52	18	102	210	86	50	18	4,100	45.3
7-223-138	6623-200	200	165	61	20	121	240	78	60	18	4,500	75.5



- Revised and upgraded successor model of Type 6569-M
- Fixed element

**6624**

Accessories 270-282  
 Technical Data 283-284

Code No.	Type	S	A	B	C	D	L	h	k	Max. clamping force [daN]	Weight [lbs]
		[mm]									
7-223-144	6624-100	100	85	35	13	80	163.0	30	12	2,000	9.7
7-223-145	6624-125	125	105	42	15	84	170.0	40	12	3,000	14.7
7-223-146	6624-150	150	140	52	18	110	221.5	50	18	4,000	31.9
7-223-148	6624-200	200	165	61	20	127	253.5	60	18	4,500	58.3