

Features:

- Pneumatic system makes operation of the vice easy
- Removable grooved jaw inserts are hardened and ground
- Sturdy body
- Wide range of clamping
- Equipped with a safety valve

Application:

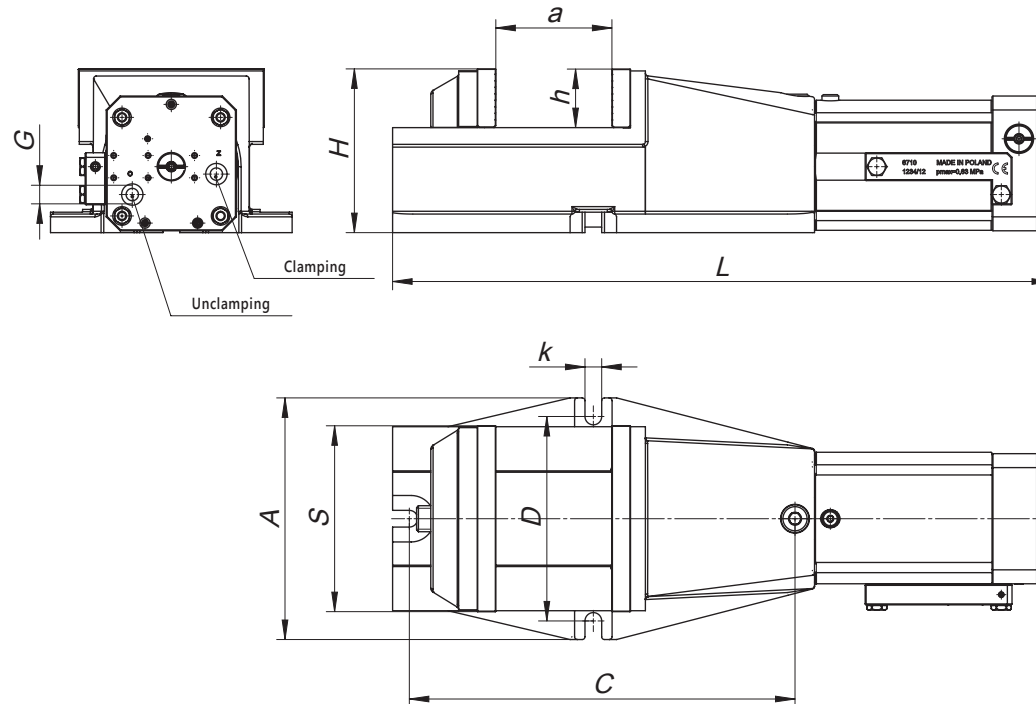
- These heavy duty machine vises are used in operations where a large clamping force is required

Standard accessories:

- Slot nuts

PNEUMATICALLY OPERATED

6710



Code No.	Type	A	H	L	a _{max}	h	k	C	D	G	Jaw stroke	Air consumption	Clamping force for 0,63 MPa	Weight
		[mm]										[mm]	[dm ³]	[daN]
7-265-005	6710-125	180	129	553	100	40	14	274	150	G3/8"	7	1.3	3,000	72.6
7-265-010	6710-160	225	150	621	125	50	18	337	185	G3/8"	8	1.6	3,700	110.4
7-265-015	6710-200	260	176	709	160	63	18	415	220	G3/8"	9	2.5	4,600	162.8

Accessories 270-282

- 1
- 2
- 3
- 4
- 5
- 6

6710