

Features:

- A unique, built-in hydraulic spindle makes operation of the vise easy
- Removable grooved jaw inserts are hardened and ground
- Easy adjusting of clamping range by means of 2 pins
- Sturdy, maintenance-free spindle
- Body and movable jaw are high quality castings

Application:

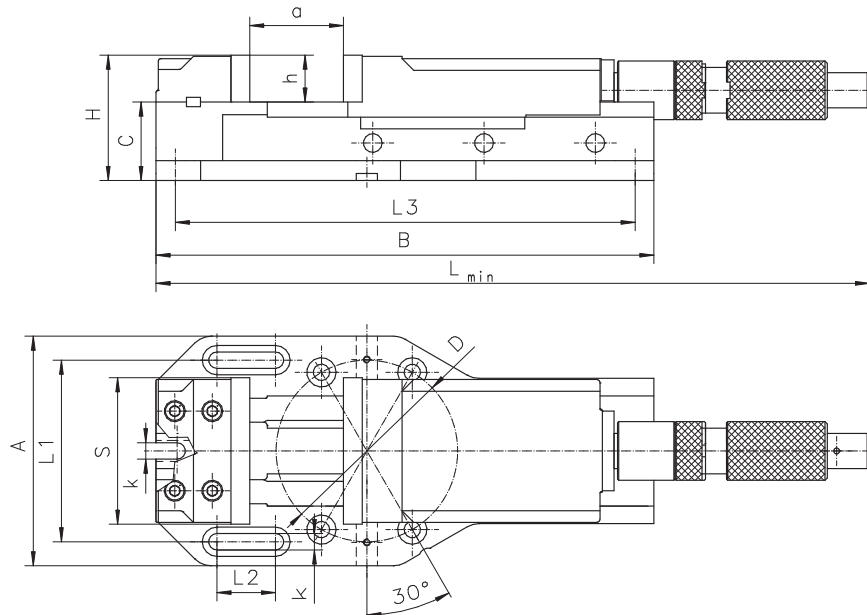
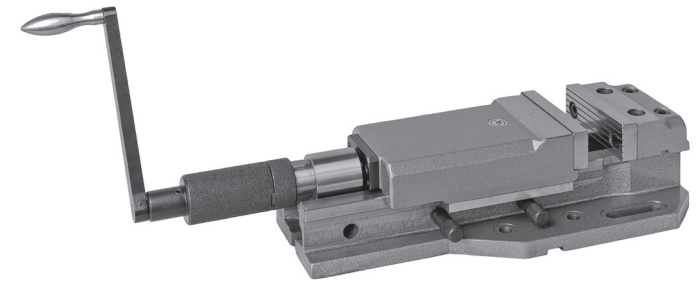
- These heavy duty machine vises are used in operations where a large clamping force is required

Standard accessories:

- Handcrank
- Slot nuts

WITH HYDRAULIC SPINDLE

6516



Matching swivel base



Accessories 270-282

Code No.	Type	S	A	B	C	H	L	L1	L2	L3	D	a	h	k	Max. clamping force [daN]	Weight [lbs]
		[mm]														
7-251-005	6516-M125	125	196	425	67	109	530	155	50	389	155	205	42	14	3,500	43.8
7-251-006	6516-M160	160	246	565	80	130	615	200	65	525	200	280	50	18	5,500	115.3
7-251-008	6516-M200	200	304	675	99	162	795	250	90	635	250	375	63	18	7,500	204.6

- 1
- 2
- 3
- 4
- 5
- 6

6516