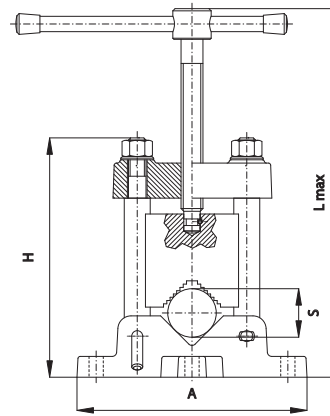


Features:

- Body is made of high quality cast iron while other parts, including movable jaw are made of steel and hardened

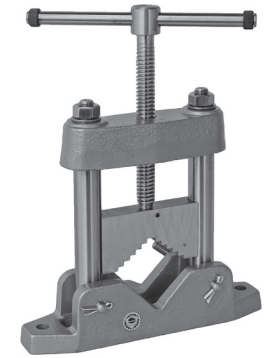
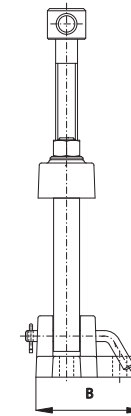
Application:

- This vise is designed for the clamping and working of pipes and tubes of any length



BENCH VISE FOR PIPES

1710



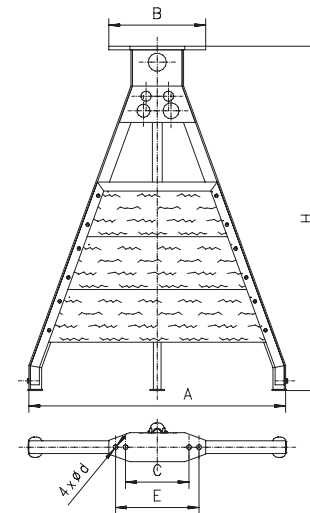
Code No.	Type	S	A	B	H	L max.	Max. clamping force [daN]	Weight [lbs]
		[mm]						
7-324-102	1710-50	15-50	210	98	218	360	2,800	13.2
7-324-103	1710-80	22-80	270	108	250	400	2,800	19.8

Features:

- Welded together from steel profiles
- Telescopic foot makes quick assembly and portability possible

Application:

- Lightweight portable base for 1710 vise



TRIPOD FOR PIPE VISE

1711



Code No.	Type	A	B	C	E	H	L	d	For Type 1710	Weight [lbs]
		[mm]								
7-234-202	1711-710	710	267	175	230	922	70	13	50; 80	32.2