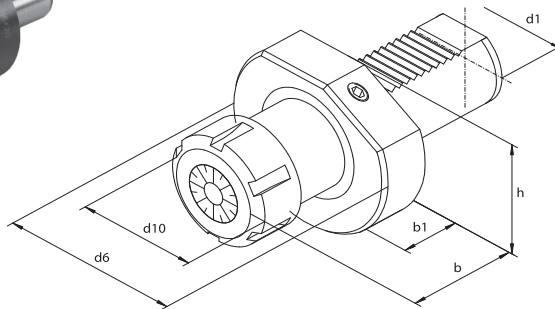


1
2
3
4
5
6

1220



- ER Collet Chuck Toolholder
- Internal coolant supply



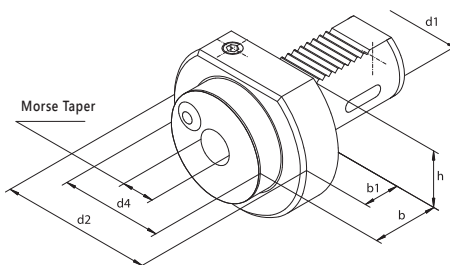
| Code No. | Type | DIN 69880 | d1 | d6 | d10 | b | b1 | h | Collet chuck | |
|------------|----------------|------------|----|----|-----|----|----|------|--------------|---------------------|
| | | | | | | | | | ER | Clamping range [mm] |
| 7-366-030 | 1220-16-ER20 | E4-16 x 20 | 16 | 40 | 35 | 45 | 14 | 18.0 | 20 | 2-13 |
| 7-366-110 | 1220-20-ER16 | - | 20 | 50 | 32 | 55 | 18 | - | 16 | 2-10 |
| 7-366-120 | 1220-20-ER25 | E4-20 x 25 | 20 | 50 | 42 | 55 | 18 | - | 25 | 2-16 |
| 7-366-130 | 1220-20-ER32 | E4-20 x 32 | 20 | 50 | 50 | 55 | 18 | - | 32 | 2-20 |
| 7-366-220 | 1220-25-ER25 | E4-25 x 25 | 25 | 58 | 42 | 55 | 18 | 25.0 | 25 | 2-16 |
| 7-366-230 | 1220-25-ER32 | E4-25 x 32 | 25 | 58 | 50 | 55 | 18 | 25.0 | 32 | 2-20 |
| 7-366-312 | 1220-30-ER25 | E4-30 x 25 | 30 | 68 | 42 | 55 | 22 | 28.0 | 25 | 2-16 |
| 7-366-312L | 1220-30-ER25-L | - | 30 | 68 | 42 | 75 | 34 | 28.0 | 25 | 2-16 |
| 7-366-330 | 1220-30-ER32 | - | 30 | 68 | 50 | 55 | 22 | 28.0 | 32 | 2-20 |
| 7-366-330L | 1220-30-ER32-L | - | 30 | 68 | 50 | 75 | 29 | 28.0 | 32 | 2-20 |
| 7-366-340 | 1220-30-ER40 | E4-30 x 40 | 30 | 68 | 63 | 75 | 26 | 28.0 | 40 | 3-26 |
| 7-366-420 | 1220-40-ER25 | - | 40 | 83 | 42 | 69 | 22 | 32.5 | 25 | 2-16 |
| 7-366-430 | 1220-40-ER32 | E4-40 x 32 | 40 | 83 | 50 | 84 | 22 | 32.5 | 32 | 2-20 |
| 7-366-440 | 1220-40-ER40 | E4-40 x 40 | 40 | 83 | 63 | 75 | 22 | 32.5 | 40 | 3-26 |
| 7-366-530 | 1220-50-ER32 | - | 50 | 98 | 50 | 84 | 30 | 35.0 | 32 | 2-20 |
| 7-366-510 | 1220-50-ER40 | E4-50 x 40 | 50 | 98 | 63 | 88 | 30 | 35.0 | 40 | 3-26 |

Collets available on page 357

1224



- Boring Bar Toolholder
- Suitable for tools with MT
- External coolant supply

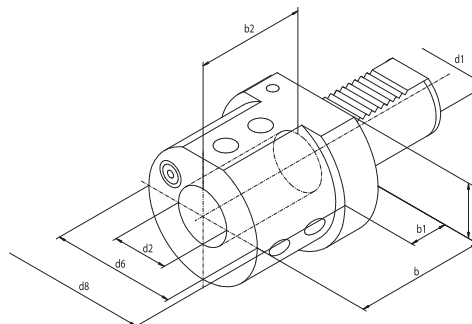


| Code No. | Type | DIN 69880 | d1 | Morse Taper | d2 | d4 | b | b1 | h |
|-----------|-----------|------------|------|-------------|----|----|----|----|------|
| | | | [mm] | | | | | | |
| 7-362-201 | 1224-20-1 | F20-MK-DK1 | 20 | 1 | 50 | - | 27 | - | - |
| 7-362-301 | 1224-30-1 | F30-MK-DK1 | 30 | 1 | 68 | 68 | 27 | - | 28.0 |
| 7-362-302 | 1224-30-2 | F30-MK-DK2 | 30 | 2 | 68 | 58 | 36 | 25 | 28.0 |
| 7-362-303 | 1224-30-3 | - | 30 | 3 | 68 | 68 | 66 | - | 28.0 |
| 7-362-402 | 1224-40-2 | F40-MK-DK2 | 40 | 2 | 83 | 55 | 36 | 22 | 32.5 |
| 7-362-403 | 1224-40-3 | F40-MK-DK3 | 40 | 3 | 83 | 58 | 50 | 22 | 32.5 |
| 7-362-404 | 1224-40-4 | F40-MK-DK4 | 40 | 4 | 83 | 68 | 80 | 22 | 32.5 |
| 7-362-502 | 1224-50-2 | F50-MK-DK2 | 50 | 2 | 98 | 55 | 36 | 30 | 35.0 |
| 7-362-503 | 1224-50-3 | F50-MK-DK3 | 50 | 3 | 98 | 58 | 45 | 30 | 35.0 |
| 7-362-504 | 1224-50-4 | F50-MK-DK4 | 50 | 4 | 98 | 68 | 55 | 30 | 35.0 |

1253



- Boring Bar Toolholder
- Suitable for tools with cylindrical shank
- External coolant supply



| Code No. | Typ | d1 | d2 | d6 | d8 | [mm] | | | |
|-----------|-------------|----|----|----|----|------|----|----|------|
| | | | | | | b | b1 | b2 | h |
| 7-363-420 | 1253-40-20 | 40 | 20 | 52 | 83 | 67 | 22 | 54 | 32.5 |
| 7-363-425 | 1253-40-25 | 40 | 25 | 65 | 83 | 85 | 22 | 59 | 32.5 |
| 7-363-432 | 1253-40-32 | 40 | 32 | 72 | 83 | 85 | 22 | 63 | 32.5 |
| 7-363-440 | 1253-40-40* | 40 | 40 | 83 | 83 | 90 | - | 73 | 32.5 |

*on request